

PAK SEEDER (COULTER TYPE)**GENERAL:**

| | | |
|----|--------------------------|---|
| 1. | Type | Tractor rear mounted |
| 2. | Application | Sowing of wheat in rice stubble field |
| 3. | Power Requirement | ≥65 hp tractor |
| 4. | No. of sowing rows | 12 (11 inside rows and 01 outside row) |
| 5. | U.J Shaft | Provided (38 / 39 mm Universal Joint / X bearing) |
| 6. | Rotor Speed | 200 to 300 rpm @ 540 PTO rpm |
| 7. | Working width | 2000 mm ± 50 mm |
| 8. | Seed and Fertilizer rate | Adjustable through calibrated screw-type side wheels / adjustable calibrated lever. |

OVERALL DIMENSIONS (MIN.)

| | | |
|-----|--------|-----------------|
| 9. | Length | 1600 mm ± 50 mm |
| 10. | Width | 2300 mm ± 50 mm |
| 11. | Height | 1400 mm ± 50 mm |
| 12. | Weight | Minimum 850 kg |

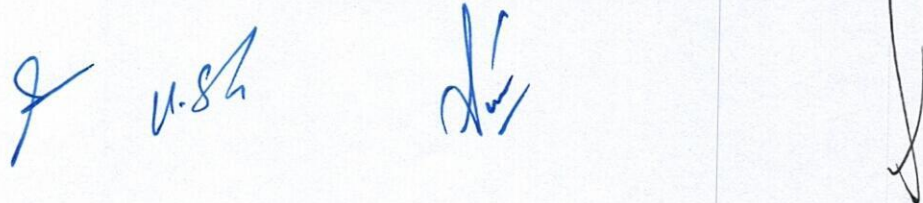
OVERALL SPECIFICATIONS:

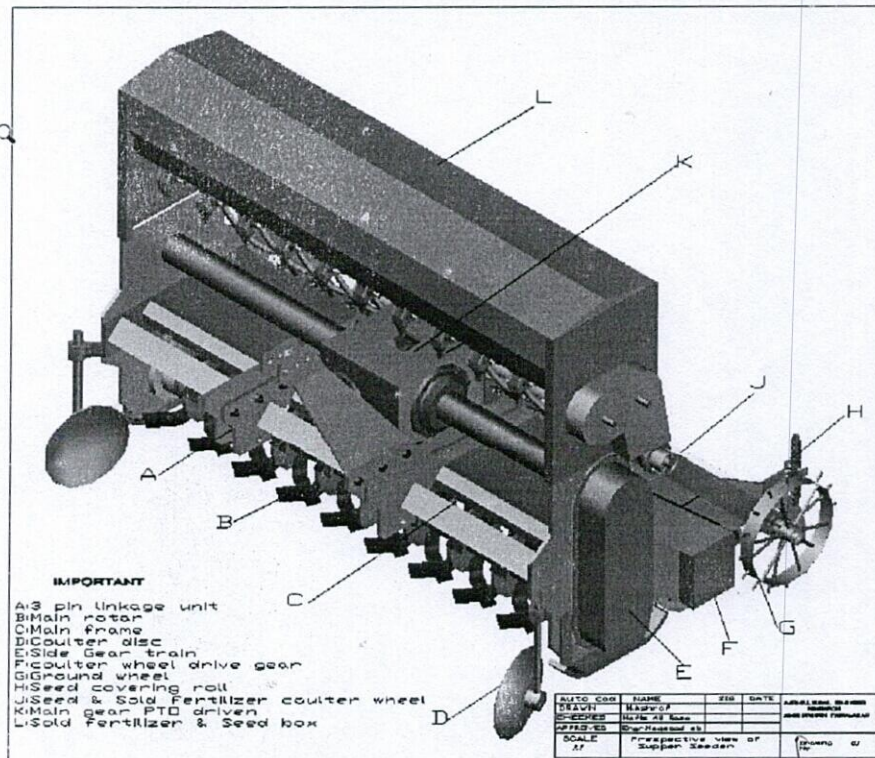
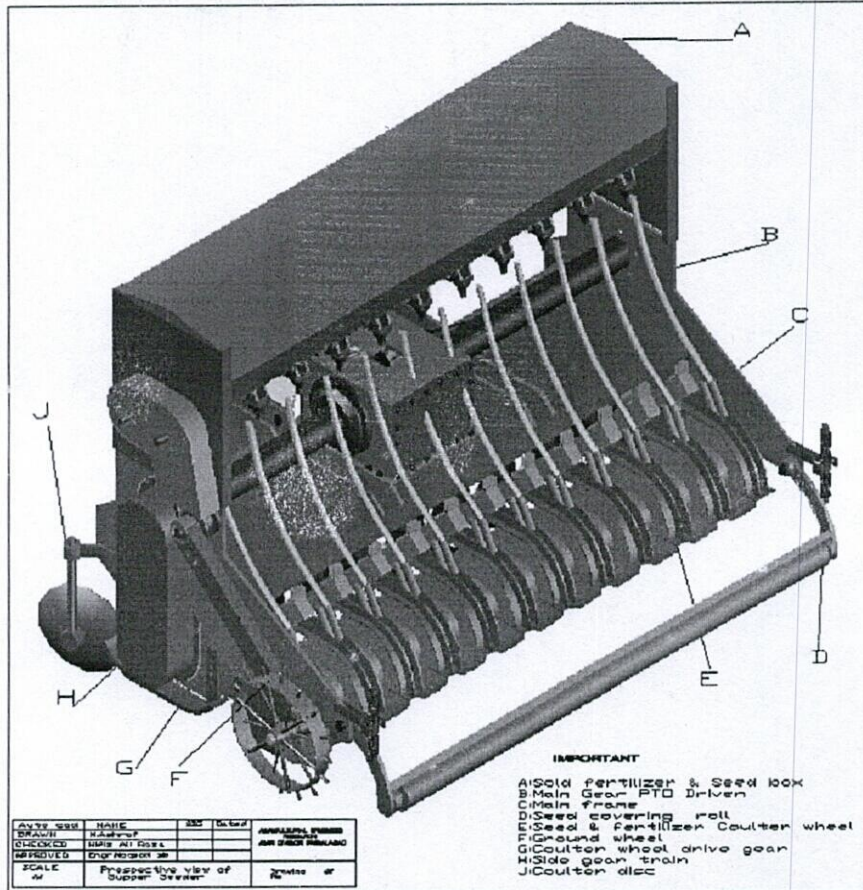
| | | |
|-----|-----------------------------|---|
| 13. | Main Frame | MS Square pipe 60x60 mm 5-6 mm thick |
| 14. | Mast (A-Frame) | M.S plate formed 8-9 mm thick |
| 15. | Hitch | M.S plate 15 mm thick adjustable on main frame |
| 16. | Side plates | M.S plate 8-9 mm thick |
| 17. | Top cover | M.S plate 3-4 mm thick, |
| 18. | Front Coulter disk Assembly | Coulter Disk: 02 Nos. 355 mm dia. 4-5 mm thick, adjustable on main frame. Coulter Disk Frame: 5 mm thick M.S Box, 60x60 M.S pipe, 5 mm thickness with adjustable clamps. |
| 19. | Inspection Pad | Provided with textured sheet |
| 20. | Gear box | Cast iron with air vent, two-speed gear box with proper supports on both side of the gear box |
| 21. | Power Transmission shaft | 60 mm dia. (Bearing Size) alloy steel with safety cover pipe of 4-5 mm wall thickness and support of pipe on other side. |
| 22. | Bearing & Oil seal | Main shaft 01 Nos. 32212 / 32213 / 6312 & 02 Nos 6309 / 6310 |
| 23. | Rotor | Seamless MS. pipe outer diameter 85 mm wall thickness 6 mm |
| 24. | Blade mounting plate | MS. plate 235 mm dia., 10 to 11 mm thick |
| 25. | Blades | 54 Nos "J" type blades, hardness ≥40 HRC |

| | | |
|-----|--------------------------------|---|
| 26. | Bearing | All bearings should be of European standard or equivalent with double hub compatible with bearings |
| 27. | Press Roller Pipe | MS. pipe outer diameter 160 - 165 mm 4 mm wall thickness, 45 mm axle on both sides with drive through gear system and 60# chain & sprocket coupled with gear system from main drive shaft and 45-55 RPM of press roller. |
| 28. | Press Roller Pipe Bearing | 02 Nos. UC 208/209/210 |
| 29. | Seed & fertilizer box | Detachable seed and fertilizer box for multifunctioning of machine, M.S sheet 18 SWG Trapezoidal / V shape divided in two equal boxes Minimum Capacity 60 kg (Seed & fertilizer each) |
| 30. | Seed & fertilizer Distributors | Fluted wheel with drive shaft, driven through 50 # chain and sprocket. 02 Nos. bearings on each shaft |
| 31. | Drive wheel | M.S. flat 55x6 mm and center support with 50x5 mm flat / 14 gauge formed sheet / 6 mm M.S Sheet, 550 mm dia. welded with lugs, Chain # 50 |
| 32. | Furrow opener | Sharp Edge, Stainless Steel (SS) without paint, Coulters Type Furrow Opener. 22 Nos of coulters for 11 inside rows, 02 coulters in each row, 22 Nos. of bearing 6205, Minimum Coulters dia. 380 mm, coulters thickness: 2.5-3.0 mm, shaft dia. between 02 coulters 25 mm, fitted with adjustable seed / fertilizer placement assembly having inside and outside scrapers. Each seed / fertilizer placement assembly is adjustable on coulters frame. Furrow opener Coulters Frame: M.S Square pipe 60x60 mm, 5-6 mm thickness adjustable with side plates. |
| 33. | Skidders | Adjustable skidders on both sides, 12 mm M.S Flat, 60 mm width. |
| 34. | Seed & fertilizer tube | Transparent plastic pipe impregnated with steel wire along with clamps on seed/fertilizer box side |
| 35. | Rear Roller | M.S Pipe 100 mm dia. with 3 mm wall thickness adjustable spring-loaded pipe with scraper / Manually adjustable up & down by steering mechanism. |

MISCELLANEOUS

| | | |
|-----|----------------|---|
| 36. | Origin | Local / Imported |
| 37. | Paint | Double coat with primer after surface finish |
| 38. | Nuts and bolts | To be tightened with spring washers |
| 39. | Lubrication | Filled with proper lubricant of requisite grade and quantity |
| 40. | Modifications | To be carried out free of cost, if required |
| 41. | Warranty | Free: 01 year for parts and service Extended: 05 years for parts supply on payment |





ADN
ANNEL
U.S.
[Signature]

PAK SEEDER (TINES TYPE)**GENERAL:**

| | | |
|----|--------------------------|---|
| 1. | Type | Tractor rear mounted |
| 2. | Application | Sowing of wheat in rice stubble field |
| 3. | Power Requirement | ≥ 65 hp tractor |
| 4. | No. of sowing rows | 12 (11 inside rows and 01 outside row) |
| 5. | U.J Shaft | Provided (38 / 39 mm Universal Joint / X bearing) |
| 6. | Rotor Speed | 200 to 300 rpm @ 540 PTO rpm |
| 7. | Working width | 2000 mm \pm 50 mm |
| 8. | Seed and Fertilizer rate | Adjustable through calibrated screw-type side wheels / adjustable calibrated lever. |

OVERALL DIMENSIONS (MIN.)

| | | |
|-----|--------|---------------------|
| 9. | Length | 1600 mm \pm 50 mm |
| 10. | Width | 2300 mm \pm 50 mm |
| 11. | Height | 1400 mm \pm 50 mm |
| 12. | Weight | Minimum 900 kg |


OVERALL SPECIFICATIONS:

| | | |
|-----|-----------------------------|---|
| 13. | Main Frame | MS Square pipe 60x60 mm 5-6 mm thick |
| 14. | Mast (A-Frame) | M.S plate formed 8-9 mm thick |
| 15. | Hitch | M.S plate 15 mm thick adjustable on main frame |
| 16. | Side plates | M.S plate 8-9 mm thick |
| 17. | Top cover | M.S plate 3-4 mm thick, |
| 18. | Front Coulter disk Assembly | Coulter Disk: 02 Nos. 355 mm dia. 4-5 mm thick, adjustable on main frame. Coulter Disk Frame: 5 mm thick M.S Box, 60x60 M.S pipe, 5 mm thickness with adjustable clamps. |
| 19. | Inspection Pad | Provided with textured sheet |
| 20. | Gear box | Cast iron with air vent, two-speed gear box with proper supports on both side of the gear box |
| 21. | Power Transmission shaft | 60 mm dia. (Bearing Size) alloy steel with safety cover pipe of 4-5 mm wall thickness and support of pipe on other side. |
| 22. | Bearing & Oil seal | Main shaft 01 Nos. 32212 / 32213 / 6312 & 02 Nos 6309 / 6310 |
| 23. | Rotor | Seamless MS. pipe outer diameter 85 mm wall thickness 6 mm |

| | | |
|-----|--------------------------------|---|
| 24. | Blade mounting plate | MS. plate 235 mm dia., 10 to 11 mm thick |
| 25. | Blades | 54 Nos "J" type blades, hardness ≥ 40 HRC |
| 26. | Bearing | All bearings should be of European standard or equivalent with double hub compatible with bearings |
| 27. | Trencher Pipe | MS. pipe outer diameter 160 - 165 mm 4 mm wall thickness, 45 mm axle on both sides with drive through gear system and 60# chain & sprocket coupled with gear system from main drive shaft and 45-55 RPM of trencher. Trencher Plates: 11 Nos of M.S Plates, 325 mm dia. Trencher Scrapping Plates: M.S Plate 4 mm thick |
| 28. | Trencher Pipe Bearing | 02 Nos. UC 208/209/210 |
| 29. | Seed & fertilizer box | Detachable seed and fertilizer box for multifunctioning of machine, M.S sheet 18 SWG Trapezoidal / V shape divided in two equal boxes Minimum Capacity 60 kg (Seed & fertilizer each) |
| 30. | Seed & fertilizer Distributors | Fluted wheel with drive shaft, driven through 50 # chain and sprocket. 02 Nos. bearings on each shaft |
| 31. | Drive wheel | M.S. flat 55x6 mm and center support with 50x5 mm flat / 14 gauge formed sheet / 6 mm M.S Sheet, 550 mm dia. welded with lugs, Chain # 50. |
| 32. | Furrow opener | Tines type furrow opener with hardened tip, fitted with seed / fertilizer placement system. Each seed/fertilizer placement system alongwith furrow opener fitted on M.S Square pipe 60x60 mm, 5-6 mm thickness or Round Pipe 70 mm dia, 5-6 mm thickness. |
| 33. | Skidders | Adjustable skidders on both sides, 12 mm M.S Flat, 60 mm width. |
| 34. | Seed & fertilizer tube | Transparent plastic pipe impregnated with steel wire along with clamps on seed/fertilizer box side |
| 35. | Rear Roller | MS Pipe 100 mm dia. with 3 mm wall thickness adjustable spring-loaded pipe with scrapper / Manually adjustable up & down by steering mechanism. |

MISCELLANEOUS

| | | |
|-----|----------------|---|
| 36. | Origin | Local / Imported |
| 37. | Paint | Double coat with primer after surface finish |
| 38. | Nuts and bolts | To be tightened with spring washers |
| 39. | Lubrication | Filled with proper lubricant of requisite grade and quantity |
| 40. | Modifications | To be carried out free of cost, if required |
| 41. | Warranty | Free: 01 year for parts and service Extended: 05 years for parts supply on payment |

2 u.s. 



TECHNICAL SPECIFICATIONS OF RICE STRAW SHREDDER

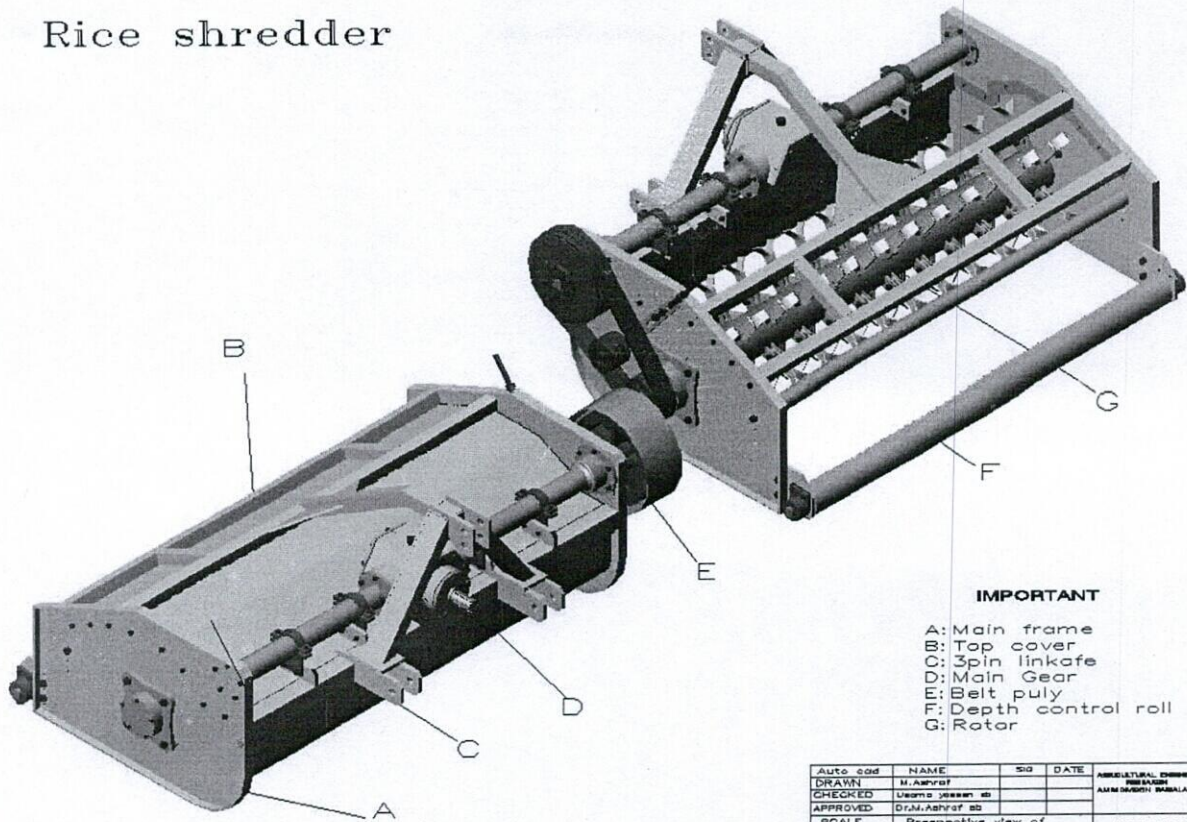
| GENERAL | | |
|--------------------------------|-----------------------|--|
| 1. | Application | For chopping of paddy straw |
| 2. | Working width | 1800 ± 50 mm |
| 3. | Rotor speed | ≥2000 rpm @ 540 PTO rpm |
| 4. | Universal Joint shaft | Provided |
| 5. | Type of Machine | Tractor rear mounted |
| 6. | Linkage Type | Cat-II |
| 7. | Tractor power | 65 hp or above |
| OVERALL DIMENSIONS | | |
| 8. | Length | 1400 ± 50 mm |
| 9. | Width | 2130 ± 50 mm |
| 10. | Height | 960 ± 50 mm |
| 11. | Weight | Minimum 450 kg |
| MATERIAL SPECIFICATIONS | | |
| 12. | Main Frame | M.S plate 4 mm welded with MS square pipe 75x75, thickness 5-6 mm at front and welded with MS plates 8-9 mm on sides, reinforced with 50x6 mm angle box at top, MS flat 50x6 mm at right angle with side plates. Top cover of MS plate 3-4 mm reinforced with MS flat 50x6 mm pivoted with main frame and adjustable at rear end. MS pipe of 75 mm O.D, 6 mm wall thickness welded at rear end with side plates. |
| 13. | A frame (Mast) | MS rect. boxes 75x50 mm, thickness 5-6 mm with support of MS angle box 50x6 mm |
| 14. | Hitch | MS plate 15 mm thickness |
| 15. | Flappers | MS sheet 180x145x3 mm (LxWxT) each pivoted with MS round 25 mm. |
| 16. | Rotor | MS pipe outer diameter 160-165 mm, 6 mm wall thickness and 60 mm dia. M.S axle on both ends. |
| 17. | Cutter Blades | 112 No's, 3 mm thick 40 mm width, 180 mm long and edge sharpened up to 100 mm from bottom & Widthwise Sharpening upto 10 mm, J-type 14 pairs of blades (HRC≥40) hinged in four rows with brackets of MS Flat of 50x50x8 mm with spacer bush of length 22 |

| | | |
|----------------------|----------------|--|
| | | mm, 10 mm apart, spacer bush 35 mm outer dia and side collar length 6 mm on both with outer diameter 22 mm. |
| 18. | Rear Roller | MS pipe 114 mm dia 6 mm wall thickness and 40 mm axle ends welded on sides fitted with MS plate 12 mm for adjustment with M.S Angle Scraper. |
| 19. | Gear box | Cast iron with Air Vent and with proper supports on both sides of the gear box |
| 20. | Gears | Steel gears, heat treated |
| 21. | Belt Tightener | Proper Belt Tightener will be Provided |
| 22. | Drive system | 03 Nos. belts, three groove C type, 355 mm dia. pulley on gear side and 175 mm dia. on rotor |
| 23. | Belt cover | 2 mm sheet |
| 24. | Bearings | 01 No. 7512 and 7309 and 6210 in gear box 02 Nos. 6312 of main rotor and 02 UC 208 of roller 02 No. 6210 at drive shaft and 02 Nos. 6205 at belt tightener |
| 25. | Skidders | Adjustable skidders on both sides, 12 mm M.S Flat, 75 mm width. |
| 26. | Parking Stand | MS box 50x50x6 mm, with MS plate 6 mm welded at bottom |
| MISCELLANEOUS | | |
| 27. | Paint | Double coat with primer after surface finish |
| 28. | Nuts and bolts | To be tightened with spring washers |
| 29. | Bearings | NTN,SKF,NSK or equivalent |
| 30. | Accessories | 02 Nos. sets of belts, 01 No. set of blades with nuts & bolts |
| 31. | Warranty | Free: 1 year for parts and service Extended: 5 years for parts supply on payment |

J *u.87* *[Signature]*

[Signature]

Rice shredder



IMPORTANT

- A: Main frame
- B: Top cover
- C: 3pin linkage
- D: Main Gear
- E: Belt pulley
- F: Depth control roll
- G: Rotor

| | | | | |
|----------|-----------------------------------|-----|------|-----------------------|
| Auto cad | NAME | ISO | DATE | AGRICULTURAL ENGINEER |
| DRAWN | M. Ashraf | | | PAKISTAN |
| CHECKED | Usama yaseen sb | | | AMMUNITION LABORATORY |
| APPROVED | Dr. N. Ashraf sb | | | |
| SCALE | Perspective view of Rice shredder | | | Drawing No. 01 |
| 1:1 | | | | |

ADU
AMU

u-sh

[Signature]